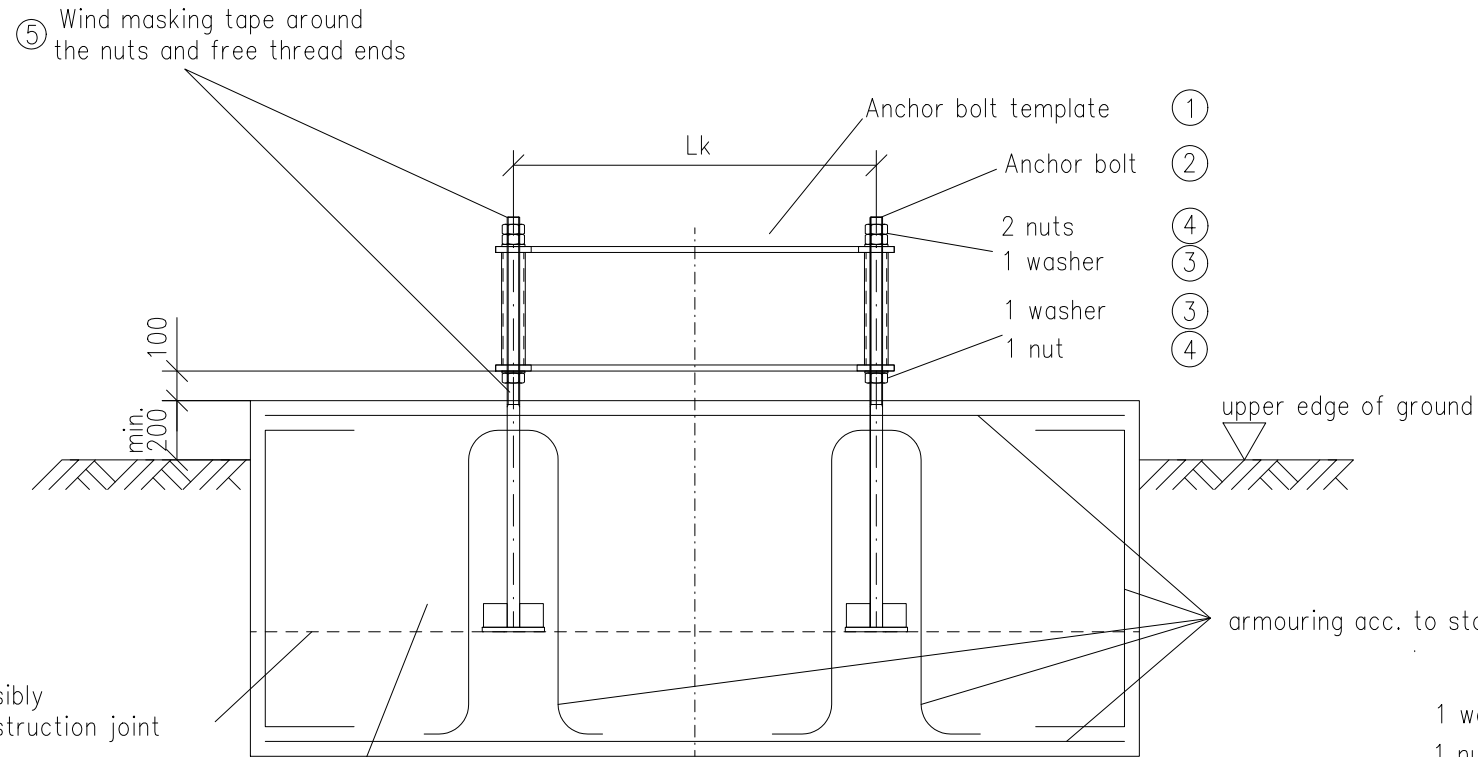
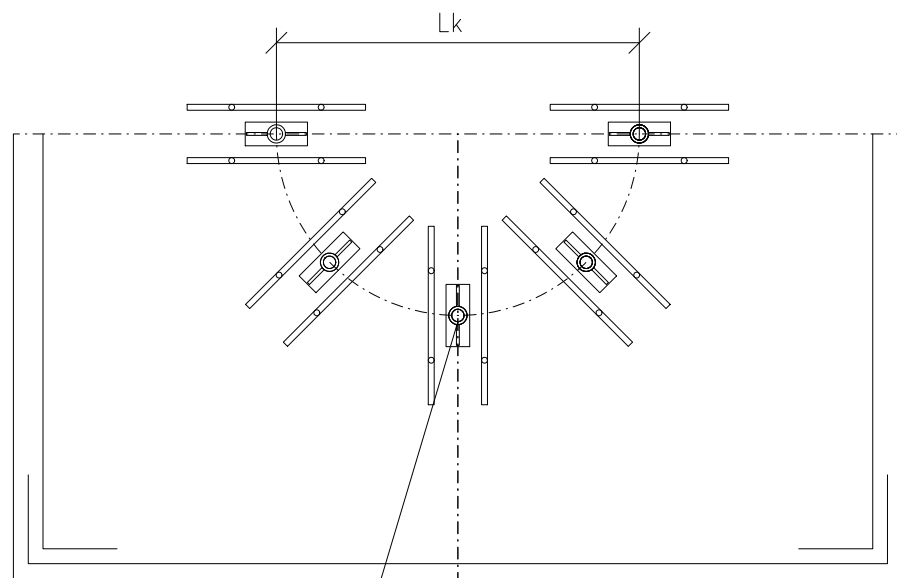


Einbauanleitung für die Ankerbolzen



possibly construction joint

Chimney foundation to be constructed in a frost-protected way by customer on natural ground acc. to static calculation

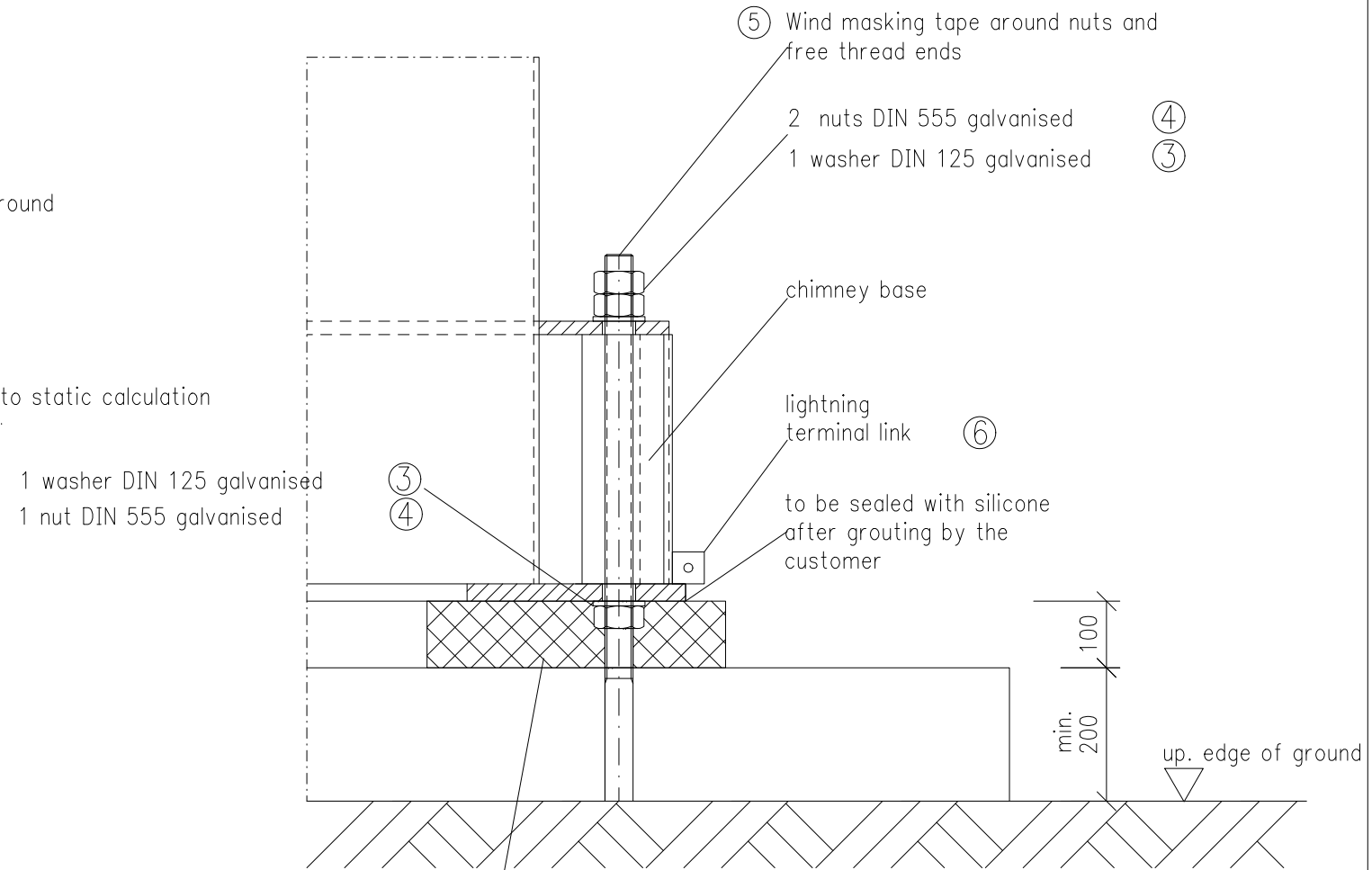


Attention !

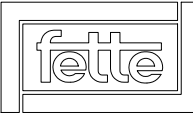
Always position the "yellow marking" on the axis beneath the fluegas inlet of the chimney

Attention !

Prior to building in the anchor bolts compare the template pitch circle for holes as well as the number and the diameter of anchor bolts with the static calculation and the drawing



After chimney alignment the customer has to grout the base ring with special grouting mortar Pagel V1/50 acc. to the mortar manufacturer's instructions

Index	Datum	Name	Änderung
Maßstab	Fitting instructions for anchor bolts Chimney acc. to DIN 4133		Zeichnung Nr. WN 1.380.2-3
Bearb.	22.10.04	Hankemeier	 GMBH UMWELTTECHNIK BAD SALZUFLEN Tel.05222/2807-0/Fax 280734
Gepr.	23.10.04	Hovestädt	
Norm			
Das Urheberrecht an dieser Zeichnung verbleibt uns. Weitergabe, Kopieren und Nachbau nicht gestattet			